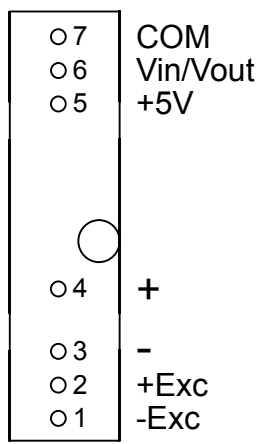
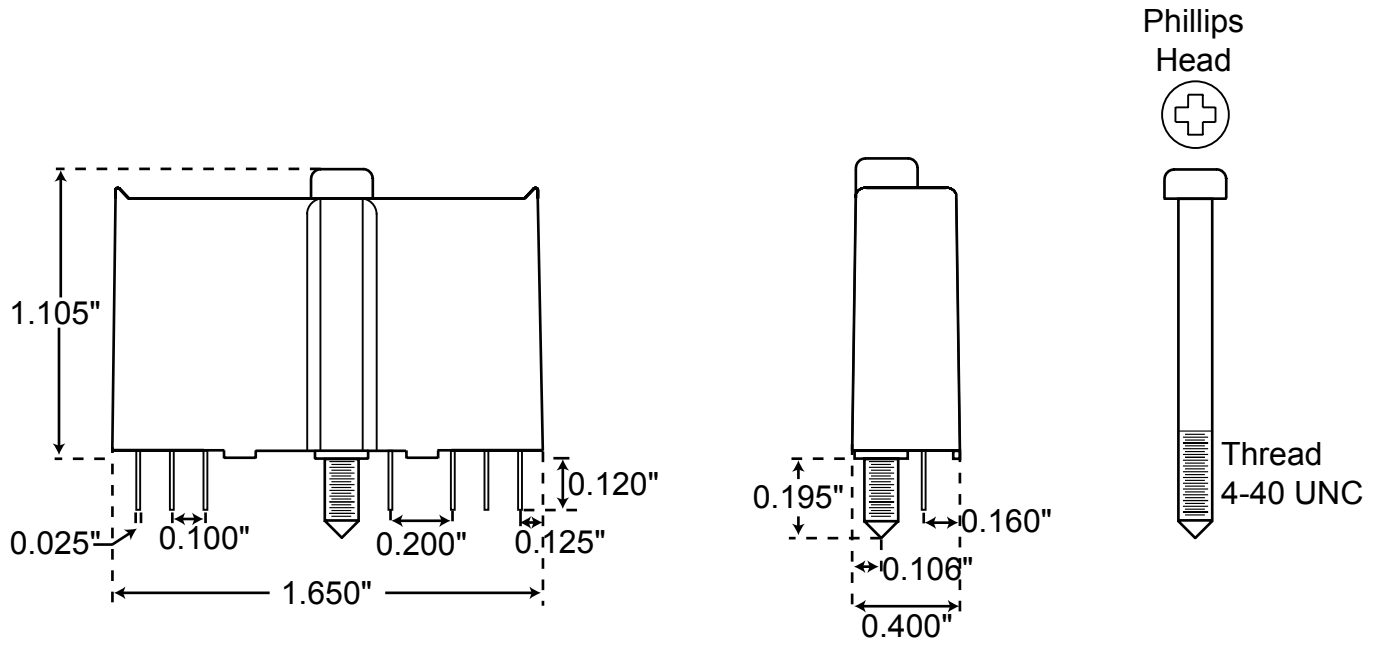


# DI-8B Module Dimension and Pinout



Bottom View