

Built-in 4.3" WQVGA TFT LCD Color Display

Stand-alone or PC-connected operation

10 Analog Channels

Input-to-output & channel-to-channel Isolation

USB PC Interface



With its color monitor and internal memory the GL220 is a compact, lightweight, multi-channel data logger that provides 10 analog measurement channels, in addition to four channels each of discrete logic and pulse inputs. The GL220 also supports one external trigger input and four alarm outputs. The GL220 is equipped with a 2 GB internal flash memory to allow the direct capture of acquired data, and its built-in USB port may be used to connect any standard USB flash drive for incremental capacity. Alternatively, the USB interface may be connected to a PC to allow data upload in real time or from memory, as well as remote configuration and real time data acquisition.

Wide Voltage Measurement Range

Each GL220 analog channel can measure from 20 mV to 50 VFS across eleven programmable measurement ranges.

Full Electrical Isolation Per Channel

Each analog GL220 channel is electrically isolated from all others and from instrument ground to allow accurate and safe measurements in industrial applications where ground potential differences are common.

Humidity Measurements

Use the GL220 to measure humidity with an optional sensor.

Voltage, Current, and Temperature Measurements

Use the GL220 to measure voltages, currents, 4-20 mA process currents, as well as thermocouple-based temperatures.

Four Pulse Inputs for Speed and Counting Measurements

The GL220 provides four discrete input channels that can be used for counting and rotational speed measurement applications.

Real Time and Post-recorded Calculations

The GL220 may be programmed to calculate average value, peak value, minimum value, rms and arithmetic operations.

Four Alarm Outputs

Program the GL220 to trigger its alarm outputs as a function of analog input signal level judgment, pulse judgment, or logic pattern.

Wide Sample Interval Selections

Sample intervals can be programmed to be one of sixteen values ranging from 10 ms to one hour.

Bright TFT LCD Color Display

The focal point of the GL220 is its 4.3" built-in WQVGA color display that allows real time trending, data review, and complete instrument configuration.

Engineering Units Scaling

Each GL220 channel allows up to four break points to be programmed for accurate scaling into meaningful units like psi, grams, newtons, gallons per minute, etc.

Features

Total of Four Discrete Inputs for Logic Measurements

Use the GL220 to measure the binary status of any external system.

Flexible Triggering Options

The GL220 allows data capture to be started or stopped based upon signal level, an external event, date/time, alarm, duration, or Boolean channel combinations. Analog signal triggers can be programmed based upon level and window tests: above threshold, below threshold, inside window, or outside window.

Flexible Power Requirements

Power the GL220 from its provided international AC adaptor, from an optional built-in battery pack, or from any 9 to 24 VDC source using an optional cable.

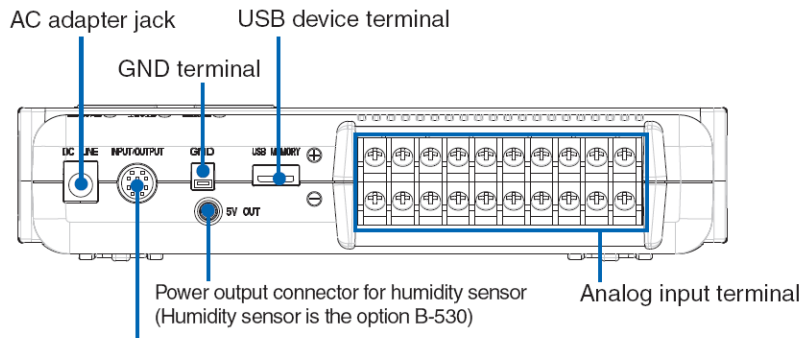
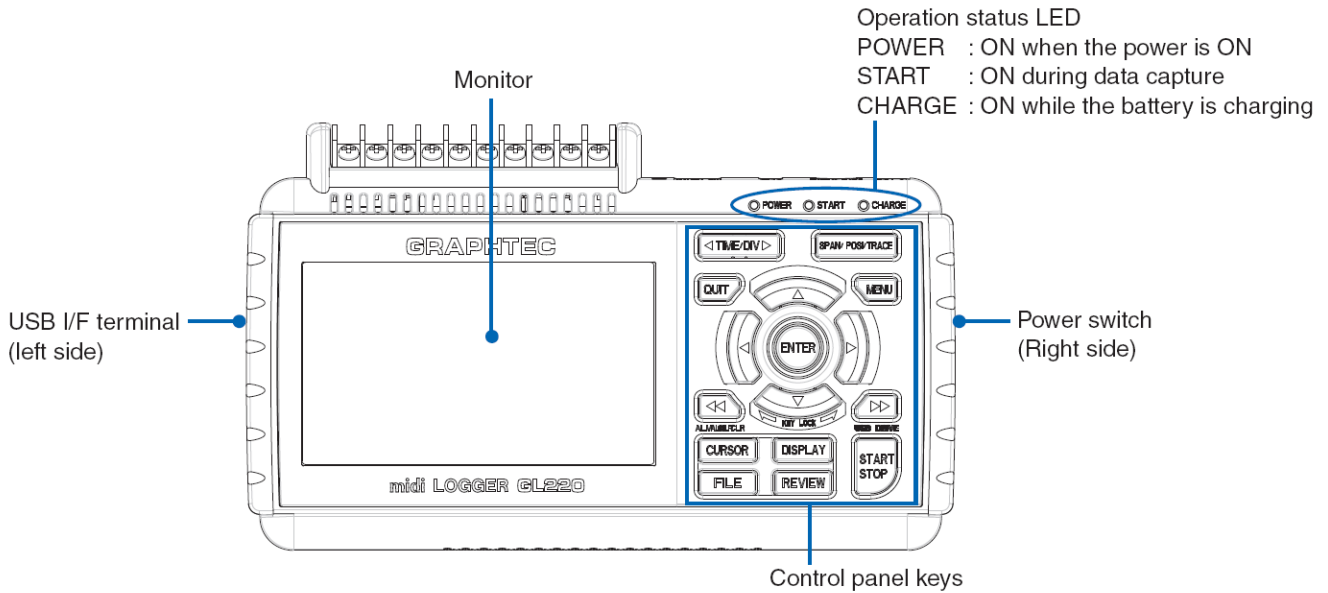
PC Connectivity and Memory Expansion via USB Interface

Allows data transfer to the PC either in real time or from the GL220's memory. Also allows complete configuration of the GL220. Connect any standard USB Flash Drive to the USB port for external memory expansion.

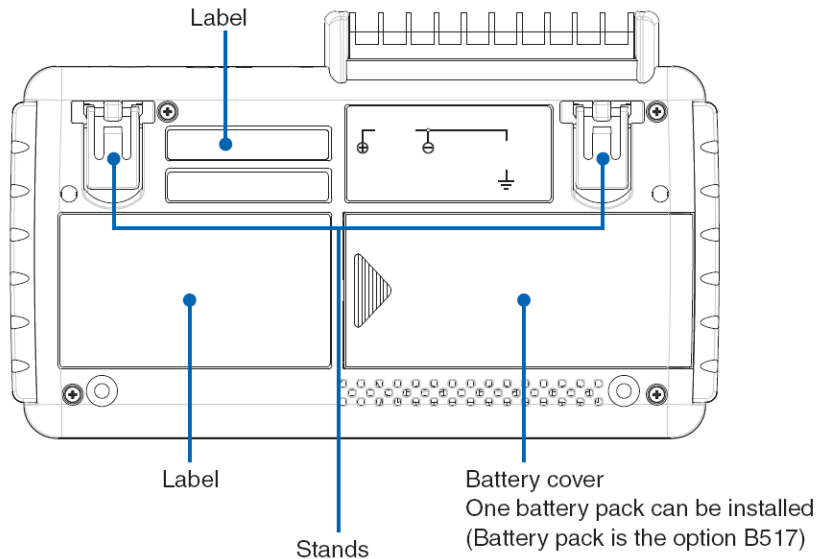
PC Software Bundle Included

The GL220 includes a Windows application for direct capture, measurement, and monitoring of GL220 data. In addition to waveform and data value capture and display, the application can export data to an Excel file for further analysis and report creation. The software includes built-in help for quick reference.

GL220 Display, I/O, and Control Overview

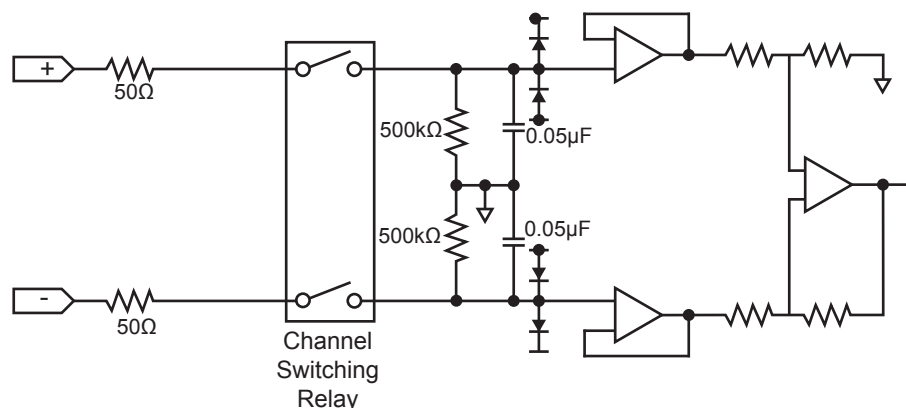


- External input/output terminals
- LOGIC/PULSE
 - EXT TRIG/SAMPLE
 - ALARM
- Logic alarm cable(When using the B-513 option)



GL220 Analog Input Circuit and Measurement Ranges

Each GL220 analog input channel features electrical isolation using a photo MOS relay switching method to maintain safe and accurate measurements in demanding industrial environments.



Voltage Measurement Ranges per Channel

Range	Maximum SPAN	Minimum SPAN	Minimum Resolution
20mV	-22.000 to +22.000mV	0.200mV	0.001mV
50mV	-55.00 to +55.00mV	0.50mV	0.01mV
100mV	-110.00 to +110.00mV	1.00mV	0.01mV
200mV	-220.00 to +220.00mV	2.00mV	0.01mV
500mV	-550.0 to +550.0mV	5.0mV	0.1mV
1V	-1.1000 to +1.1000V	0.0100V	0.0001V
2V	-2.2000 to +2.2000V	0.0200V	0.0001V
5V	-5.500 to +5.500V	0.050V	0.001V
10V	-11.000 to +11.000V	0.100V	0.001V
20V	-22.000 to +22.000V	0.200V	0.001V
50V	-55.00 to +55.00V	0.50V	0.01V

Process Current Measurement (with external 250-ohm resistor)

Range	Maximum SPAN	Minimum SPAN	Minimum Resolution
1-5 V	-5.500 to +5.500V	0.050V	0.001V

Temperature Measurement Ranges per Channel (note no RTD measurements)

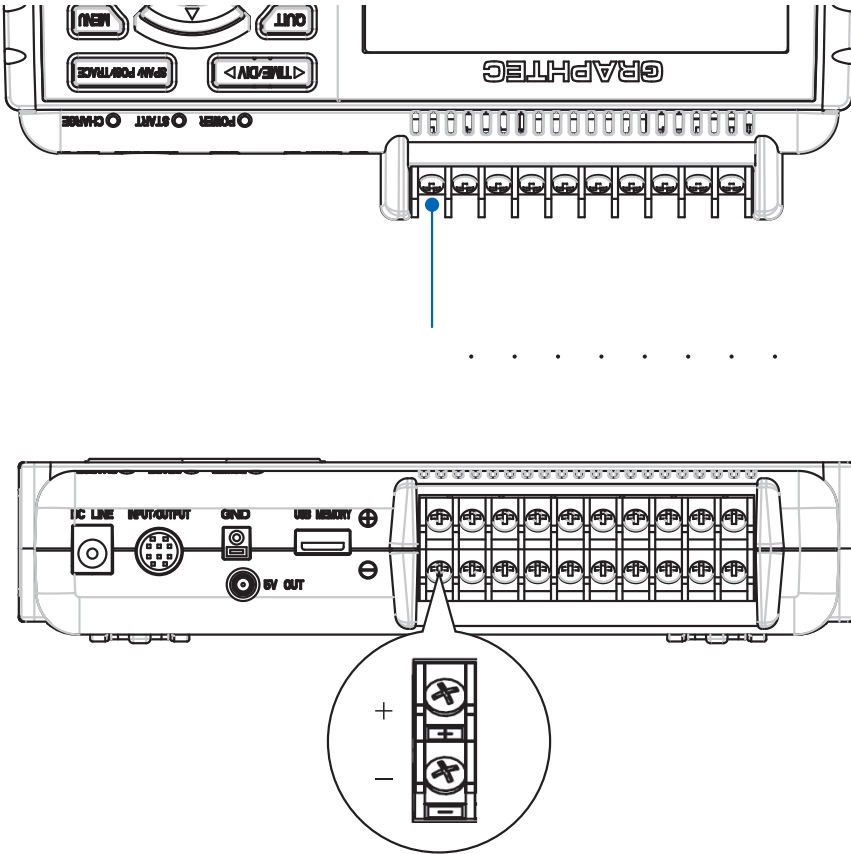
Range	Maximum SPAN	Minimum SPAN	Measurement Range	Minimum Resolution
K	-270 to +2000°C	50°C	-200 to +1370°C	0.1°C
J			-200 to +1100°C	
T			-200 to +400°C	
R			0 to +1600°C	
E			-200 to +900°C	
B			+600 to +1920°C	
S			0 to +1760°C	
N			0 to +1300°C	
W			0 to +2315°C	

Optional Humidity Measurement Range

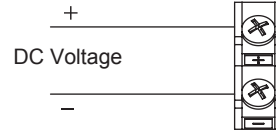
Range	Maximum SPAN	Minimum SPAN	Minimum Resolution
0 to 100%	0 to +110%	1.0%	0.1%

Typical GL220 Analog Signal Connections

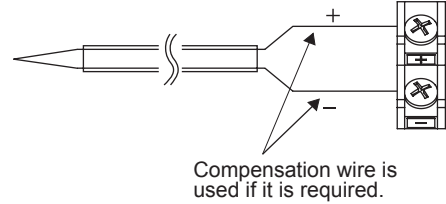
Analog Input Terminal Configuration



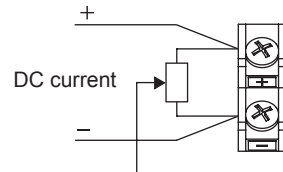
Voltage input



Thermocouple input



Current input



Shunt resistor

Ex: The current is converted to the voltage in the shunt resistor.

For 4 to 20mA current input, installing 250 ohms (0.1%) resistor for converting 1 to 5V.

- + High -voltage terminal (terminal for high voltage signals)
- Low-voltage terminal (terminal for low-voltage input signals)

Item	Description
Input configuration	Isolated input, scanning
Analog voltage	20, 50, 100, 200, 500 mV/F.S.; 1, 2, 5, 10, 20, 50, V/F.S.; 1-5V
Thermocouples	K, J, E, T, R, S, B, N, W (WRe 5-26)
A/D resolution	16-bit (Effective resolution: About 1/40,000 of the +/- range)
Filter	Off, 2, 5, 10, 20, 40 Filter operation is on a moving average basis. The average value of the set sampling count is used.

Usable Channels at Different Sampling Speeds						
Sampling Speed:		10ms	20ms	50ms	100ms	1s
Number of usable channels:		1	2	5	10	10
Measurement phenomenon	Voltage:	•	•	•	•	•
	Temperature:				•	•

Program the GL220 for Real-World Trigger Conditions

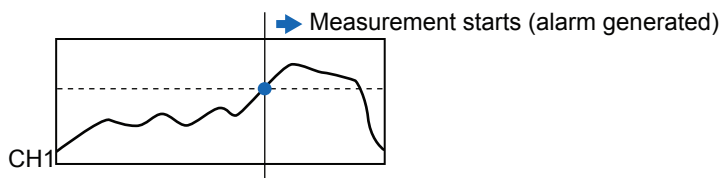
The GL220 can adapt to just about any trigger condition you might encounter. Data recording can be stopped or started as a function of analog signal level, a definable alarm condition, an external event, or specific date and time. Beyond initiating a data capture cycle, the GL220 can also be programmed to set a digital output to flag an external alarm condition. And after a trigger condition is executed you can program the GL220 to automatically rearm itself to wait for another trigger event, or stop entirely. You can even program the GL220 to detect and alarm on a thermocouple burnout condition. Here's a summary of the GL220's trigger and alarm features:

GL220 Trigger and Alarm Overview

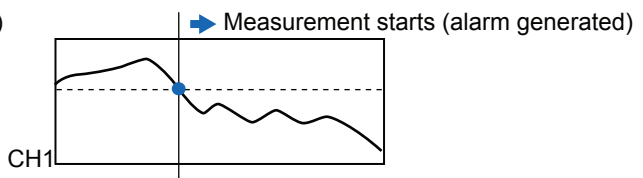
Setting		Selections Available	
Start side source setting		Off, Level, Alarm, External Input, Time, Day, Duration	
	[Level]	Mode	Analog: Off, ↑H, ↓L, Window In, Window Out; Logic: Off, ↑H, ↓L; Pulse: Off, ↑H, ↓L, Window In, Window Out
		Combination	Level OR, Level AND, Edge OR, Edge AND
		Level	Set numeric value
	[Alarm]	Alarm port #	1•2•3•4
	[Date]	Date	From 2005.1.1 to 2035.12.31
		Time	From 0:0:0 to 23:59:59
	[Weekly]	Day of week	Off or On setting for each of Sunday through Saturday
		Time	From 0:0:0 to 23:59:59
	[Time]		From 0:0:1 to 9999:59:59
Stop side source setting	[Level]	Mode	Analog: Off, ↑H, ↓L, Window In, Window Out; Logic: Off, ↑H, ↓L; Pulse: Off, ↑H, ↓L, Window In, Window Out
		Combination	Level OR, Level AND, Edge OR, Edge AND
		Level	Set numeric value
	[Alarm]	Alarm port #	1•2•3•4
	[Date]	Date	From 2005.1.1 to 2035.12.31
		Time	From 0:0:0 to 23:59:59
	[Weekly]	Day of week	Off or On setting for each of Sunday through Saturday
		Time	From 0:0:0 to 23:59:59
[Time]		From 0:0:1 to 9999:59:59	
Repeated capturing		Off, On	
Alarm level settings	Mode	Analog: Off, ↑H, ↓L, Window In, Window Out; Logic: Off, ↑H, ↓L; Pulse: Off, ↑H, ↓L, Window In, Window Out	
	Level	Set numeric value	
	Output	1•2•3•4	
	Detection Method	Level, Edge	
	Alarm Hold	On, Off	
	Send Burnout Alarm	On, Off	

GL220 Trigger Modes

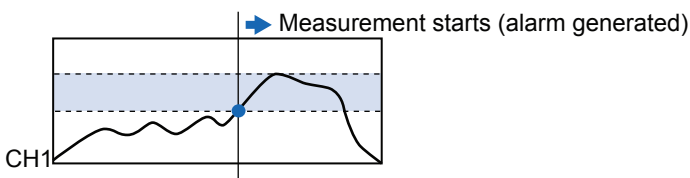
Above Threshold



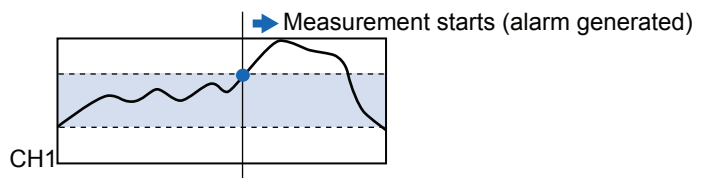
Below Threshold



Inside Window



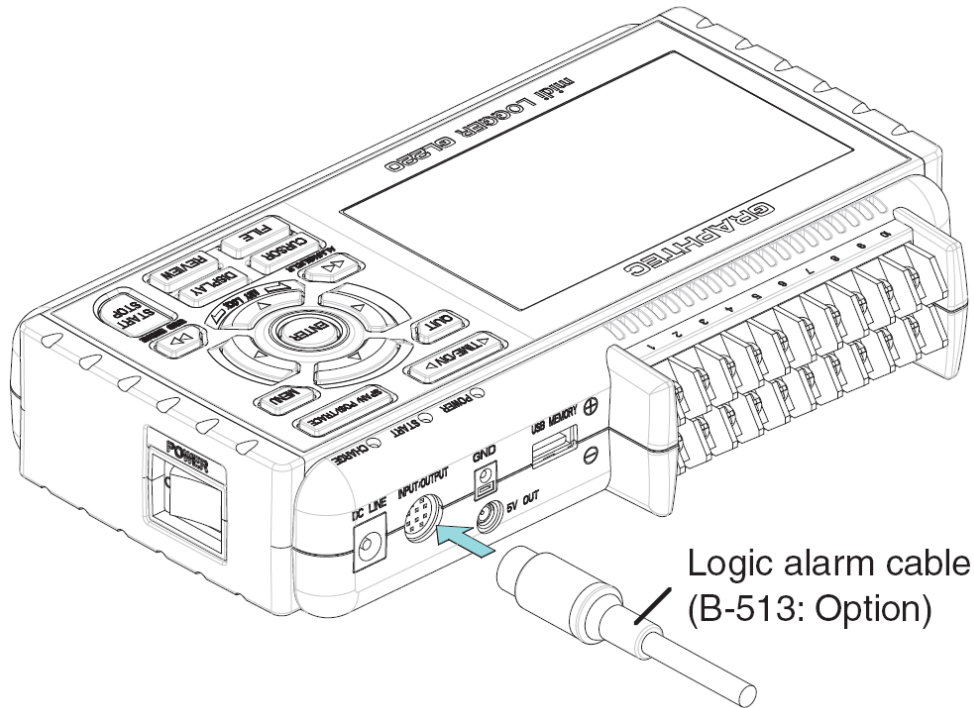
Outside Window



GL220 Logic, Pulse, Alarm, and External Trigger Connections

The logic alarm cable (B-513: Option) allows access to the GL220's logic/pulse input, external trigger input, external sampling input, and alarm signal output.

Connect the logic alarm cable (B-513: Option) to the external input/output terminal as shown below.



Logic/Pulse Specifications

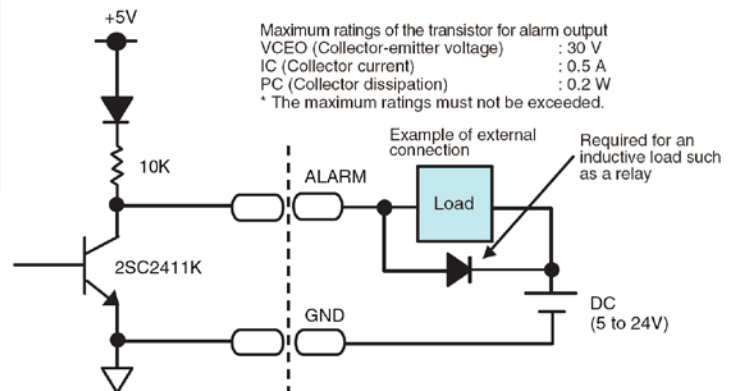
Item	Description
Number of input channels	4
Input voltage range	0 to +24V max. (single-ended ground input)
Threshold level	Approx. +2.5V
Hysteresis	Approx. 0.5 V (+2.5 to +3 V)

Trigger input/external sampling input specifications

Item	Description
Number of input channels	1
Input voltage range	0 to +24V max. (single-ended ground input)
Threshold level	Approx. +2.5V
Hysteresis	Approx. 0.5 V (+2.5 to +3 V)

Alarm output specifications and Circuit

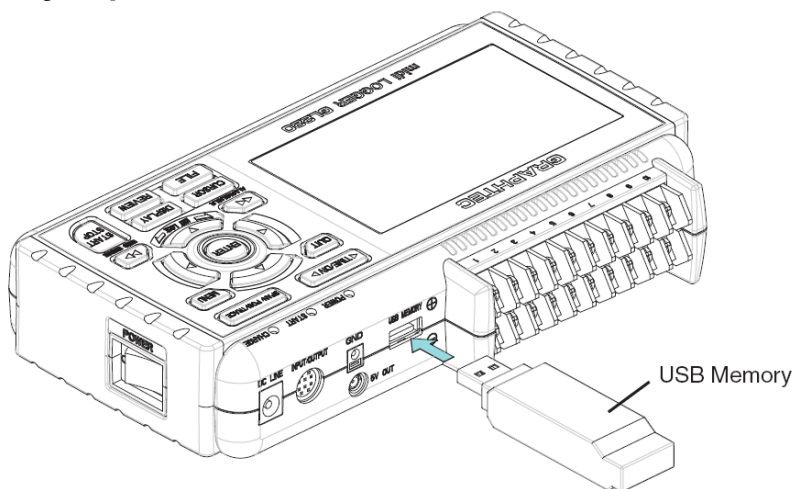
Item	Description
Number of output channels	4
Output format	Open collector output +5V, pull-up resistance 10 K Ω



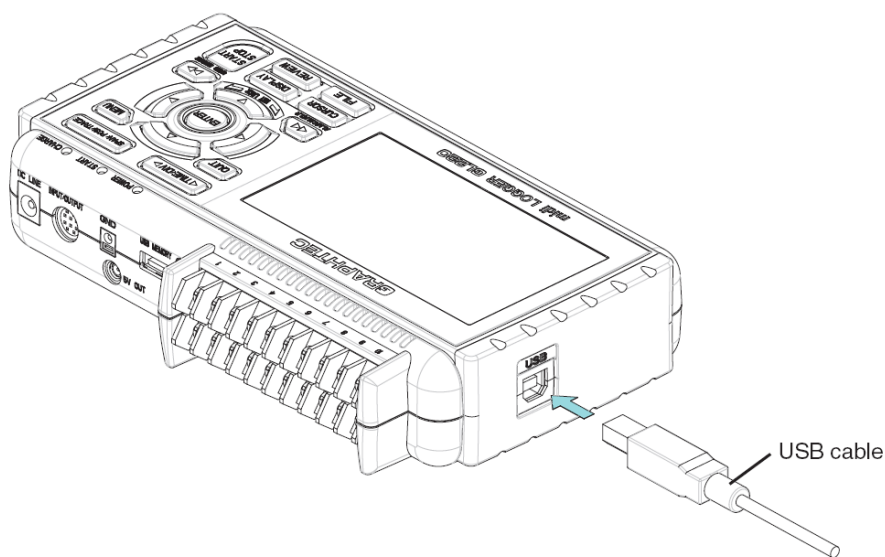
External Memory and USB Connections, and an Optional Battery Pack

The GL220 provides the added benefit of PC connectivity to its USB port, which doubles as a method to expand the GL220's internal 2 GB memory using standard USB flash memory. Flash drives may be hot-swapped as they fill to accommodate long term measurements. When the USB port is connected to a PC you can upload measurement protocols to the GL220, monitor acquired data in real time, or download previously acquired data. Up to ten GL220's may be simultaneously connected to one PC through USB hubs (there is no synchronization between units). Finally, an optional battery pack may be added to the GL220 to allow power-independent data recording whenever and wherever it's required.

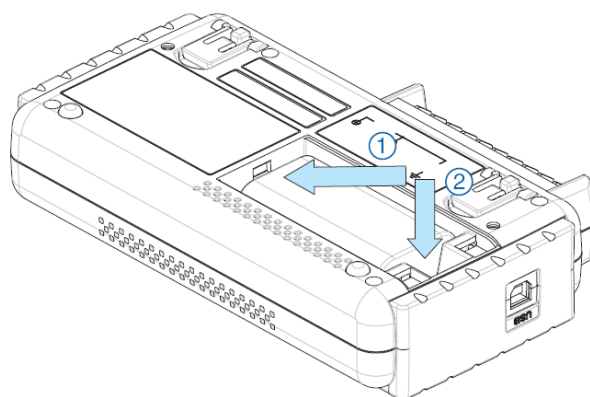
USB Flash Drive Memory Expansion



USB-to-PC Interface Connection



Optional B-517 Battery Pack

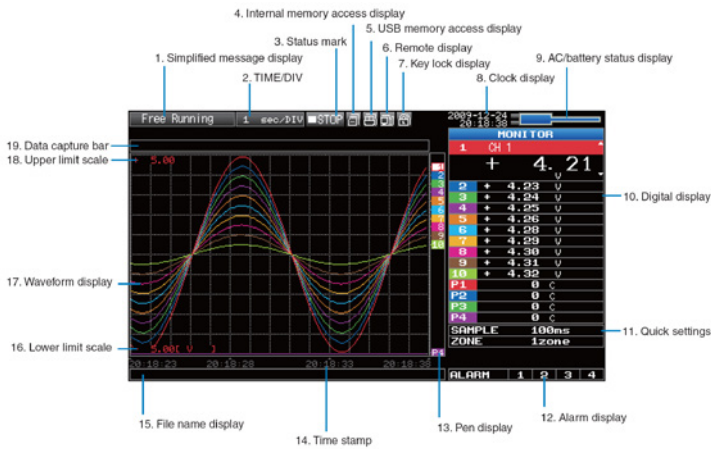


GL220 Display Quick-look

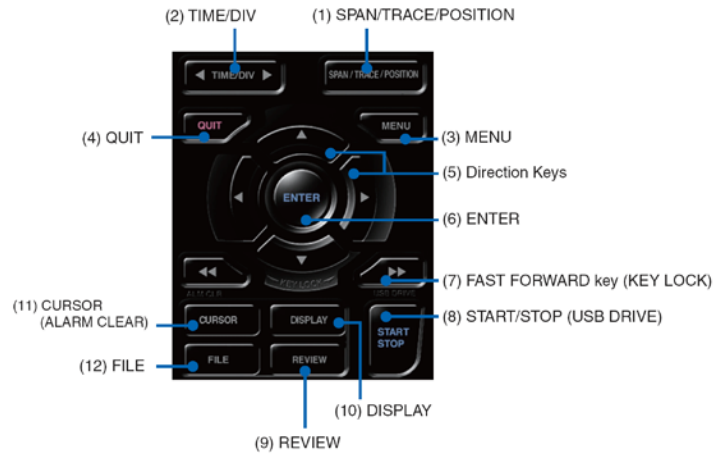
The GL220's keyboard and display are key components you'll use for any typical data recording session. The display is a full color TFT LCD (thin-film transistor liquid crystal display), the same technology used in modern flat-panel televisions. The display measures 4.3 inches diagonally, and offers 480 × 272 pixels of bright, clear, high contrast resolution. The GL220's keyboard allows full access to the instrument's menu system as viewed through its display. Navigation is straightforward and intuitive using the keyboard's navigation and ENTER keys that form the center of the array. Other keys support special operations that are clearly annotated.

GL220 Display Close-up and Modes

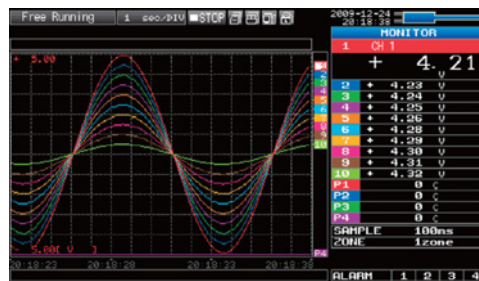
Display Close-up



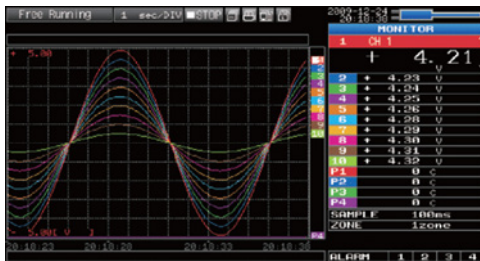
Keyboard Close-up



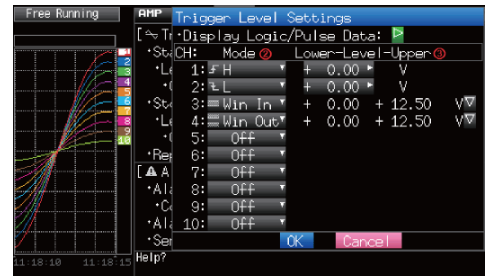
MONITOR



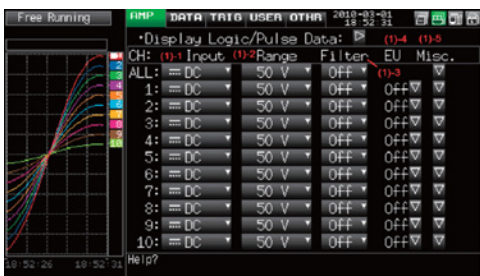
Digital Screen



Trigger Settings



AMP Settings



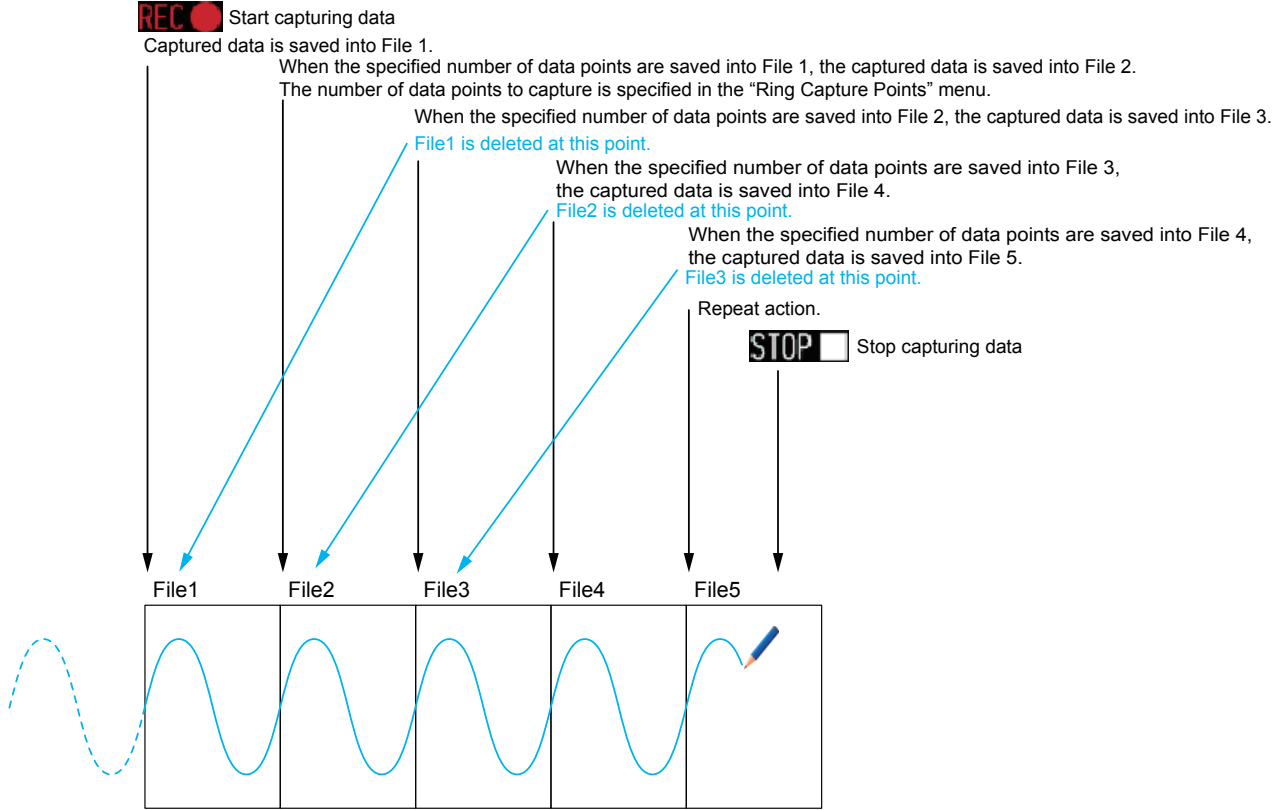
Alarm Settings



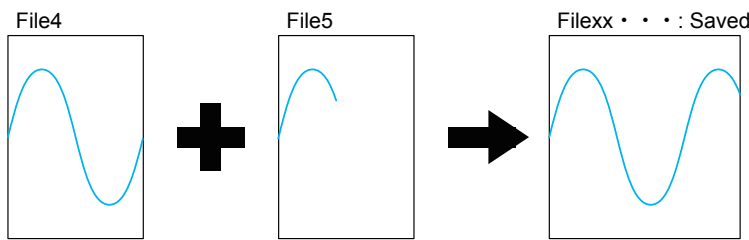
GL220 "Ring Capture" and External Sampling

The GL220's ring capture feature provides a continuous recording solution for measurement situations where events need to be recorded, but their occurrence is separated by long and unpredictable time intervals. Ring capture employs a ping-pong memory approach to data recording with a definable memory length, which may be adjusted to ensure that a recorded event is retained long enough for manual intervention to stop recording and allow data retrieval. External sampling allows the GL220 to be marginally synchronized to an external trigger signal.

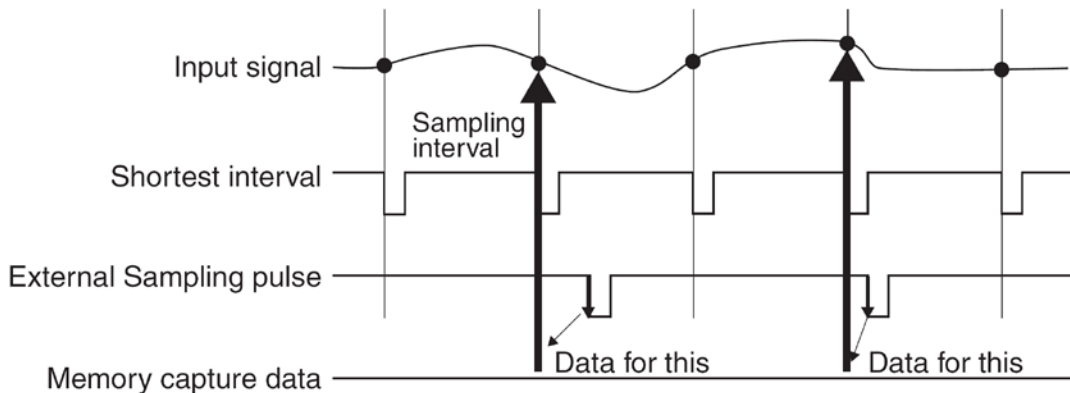
The Ring Capture Concept



When capturing is stopped at the STOP POINT above, File4 and File 5 remain. These files are consolidated into one file and it is saved. The "ring capture" is complete.



External Sampling



GL220 Included and Optional Accessories

Included PC Software

Item	Description
Compatible OS	Windows XP/Vista/Windows 7
Functions	Main unit control, realtime data capture, data conversion, data replay
Main unit settings	AMP settings, Data Capture settings, Trigger Alarm settings, Report settings, Other settings
Captured data	Realtime data (CSV, Binary); Internal memory (CSV, Binary); USB memory (CSV, Binary)
Display	Analog waveforms, logic waveforms, pulse waveforms, digital values
Display modes	Y-T View, Digital View, Report View, X-Y View between Cursors (only during replay)
File conversion	Between cursors, All data, Thinning function
Monitor functions	Alarm monitor enables sending of email to the specified address
Report function	Automatic creation of daily or monthly files
Maximum/Minimum	The maximum, minimum and current values are displayed during measurement

Included Accessories

Item	Description
Quick Start Guide	GL220-UM-8 xx
CD-ROM	GL220-CDM 0 x M (User's Manual, Application software)
AC cable/AC adapter	100 to 240 VAC, 50/60 Hz, one set of region-specific power cables

Optional Accessories

Item	Option No.	Description
Battery pack	B-517	7.2V/2200mAh
Logic Alarm Cable	B-513	Bare tips (2m)
DC power cable	B-514	Bare tips (2 m)
Humidity sensor	B-530	3m, with dedicated power connector
Carrying Case	B-536	Durable carrying case designed specifically for the GL220

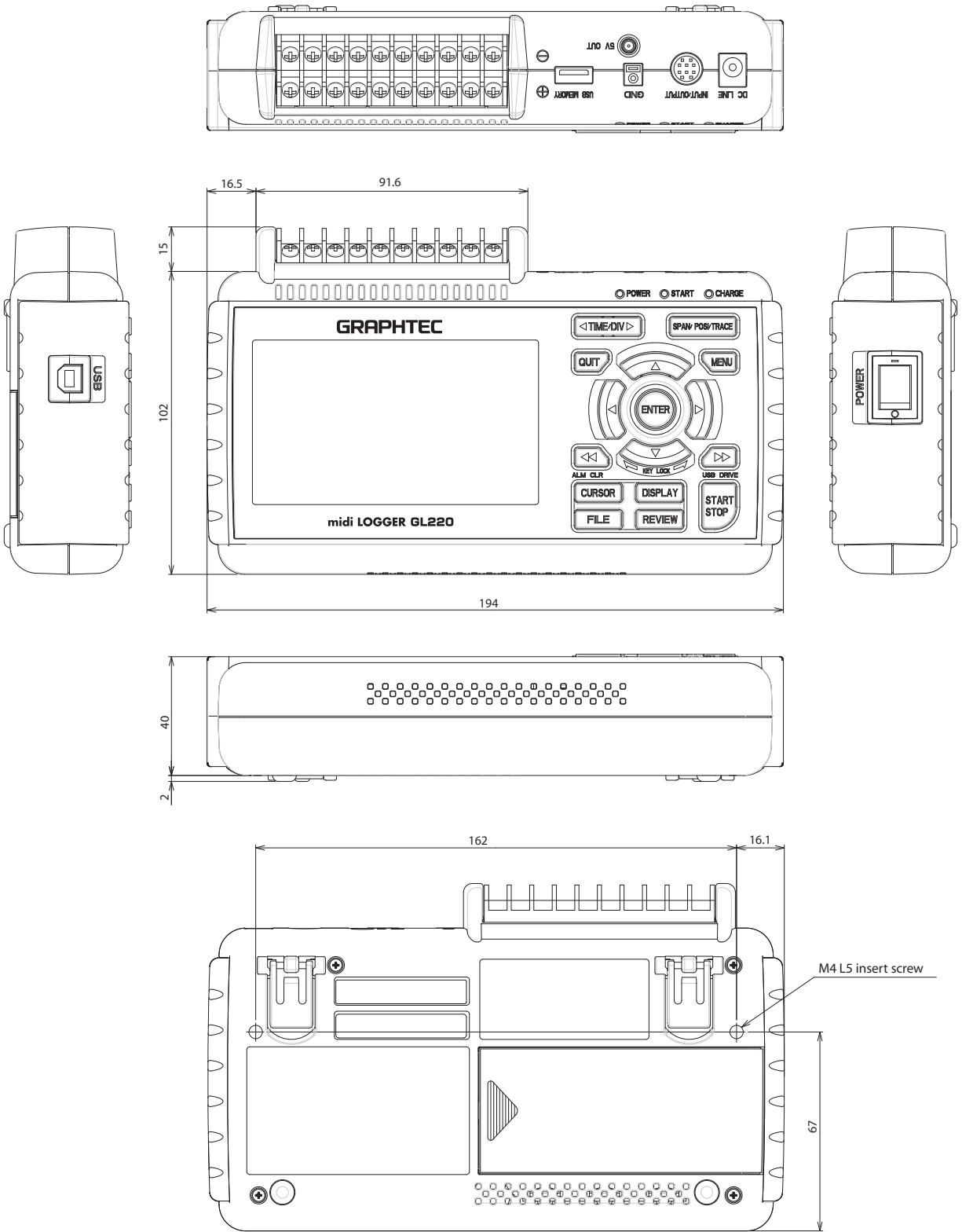
Optional Battery Pack model B-517

Item	Description
Capacity	7.4V/2200mAh 17Wh
Battery type	Lithium secondary battery
Running time	When using the LCD display: approx. 5 hours; When using the screensaver: approx. 6 hours Note: When capturing to internal memory at 1 s, sampling, using new battery packs at +25°C environment. Note: Running time depends on the operating environment, the amount of charge left in the battery and connecting USB memory.
Charging method	Mount in the main unit, or use a separate battery charger
Time required for charging	Main unit: approx. 4 hours
Switchover in the case of power failure	Because the battery is used together with the AC adapter, the power supply will be switched automatically to the battery in the event of a power failure. Note: The AC adapter is the primary power source.
Operating environment	Running on battery: 0 to 40°C, Battery being charged: 15 to 35°C
Other functions	When the battery is running low, measured data is saved and the file is closed automatically (during internal memory and USB memory capture). The remaining battery power is displayed.

Optional Humidity Sensor model B-530

Item	Description
Allowable temperature range	-25 to 80°C
Allowable Humidity Range	0 to 100%
Relative humidity measurement accuracy	±3% RH (5 to 98% RH at 25°C)
Response time	15 s (90% response when membrane filter installed)
Sensor output	0 to 1 VDC
Sensor power source	5 to 16 VDC
Power consumption	approx. 4mA
External dimensions	14mm × 80 mm (excluding cable)
Cable length	3m

GL220 External Dimensions



Dimension precision: Error \pm 5 mm
Unit: mm

GL220 Specifications

Overall Specifications

Number of analog inputs:	10 channels
External input/output:	Trigger input or external sampling pulse/logic input 4 channels or pulse input 4 channels, alarm output 4 channels
PC interface:	USB (Full speed) standard
Internal memory devices:	Approx. 2 GB internal memory USB memory slot (Full speed supported) standard
Data backup functions:	Setup conditions: EEPROM; Clock: lithium battery
Clock accuracy:	± 0.002% (approx. 50 seconds per month) (ambient temperature 23°C)
Operating Environment:	0 to 45°C, 5 to 85%RH (0 to 40°C when operated in batteries/15 to 35°C when battery is charging)
Withstand voltage:	Between each input channel and GND: 1 minute at 350 Vp-p; Between each input channels: 1 minute at 350 Vp-p
Power supply:	AC adapter: 100 to 240 VAC, 50/60 Hz DC input: 8.5 to 24 VDC (max. 26.4 V) Battery pack (option): 7.4 VDC (2200 mAh)
Power Consumption:	AC Power consumption (when AC adapter is used)

Condition	Normal Consumption	Consumption during battery recharge
LCD on	12 VA	29 VA
Screensaver on	11 VA	28 VA

DC Power consumption

DC Voltage	Condition	Normal Consumption	Consumption during battery recharge
+24V	LCD on	0.18 A	0.6 A
+24V	Screensaver on	0.15 A	0.57 A
+12V	LCD on	0.31 A	Can't Recharge
+12V	Screensaver on	0.26 A	Can't Recharge
+8.5V	LCD on	0.45 A	Can't Recharge
+8.5V	Screensaver on	0.37 A	Can't Recharge

External Dimensions:	194 × 117 × 42 mm
Weight:	520g (excluding AC adapter and battery)
Vibration-tested conditions:	Equivalent to automobile parts Type 1 Category A classification

PC Interface

Interface types:	USB (full speed)
Functions:	Data transfer to PC (real time, memory) PC control of the GL220
USB functions:	USB drive mode: Transfers and deletes file from internal memory

Real time data transfer speed: 10 ms/1ch maximum

Overall Functional Specifications

Display Screen: Waveform + Digital screen, All Waveform screen, Digital + Calculation Display screen, Expanded digital screen. (Can be switched using the dedicated key (toggle operation). For the Expanded Digital screen, the number of channels and the display channel must be specified.)

Sampling interval*: 10, 20, 50, 100, 125, 200, 250, 500 ms; 1, 2, 5, 10, 20, 30 s; 1, 2, 5, 10, 20, 30 min; 1 h, External (* 50 ms and below can be selected according to input settings and number of measured channels.)

Waveform expansion/contraction
Time axis: 1, 2, 5, 10, 20, 30 sec/Div
1, 2, 5, 10, 20, 30 min/Div
1, 2, 5, 10, 12, 24 h/Div
Voltage axis: variable span

Scaling function: 4 points can be set for each channel.

Functions during capture: Double-screen display; Exchange of USB memory; Saving of data between cursors

Data save functions: Capture to internal memory; Capture to USB memory; The setup data can be saved (Main or USB memory); Copy of data screen can be saved (Main or USB memory)

Ring capture: Function: ON, OFF; Number of recording points: 1000 to 2000000 (When ring capture is ON, the memory space that can be used for capture is one-third of the free space or less.)

Calculation between Channels: Calculation type: +, -, ×, ÷; Input target: Analog channels 1 through 10

Statistical Calculation: Types of operation: Average value, peak value, max/min value, RMS; Number of operations: 2 max. can be set simultaneously; Calculation method: Realtime calculation and calculation between cursors (during replay) (Realtime calculation results are displayed in the Digital + Calculation Display screen.)

Search functions: Function: Search the captured data for the required number of points; Search type: Channel Pulse, Logic, Level, Alarm search

Annotation input function: Function: A comment can be input for each channel; Inputtable characters: Alphanumerics; Number of characters: 31 (Displayed up to 18 characters in the Waveform + Digital screen or 14 characters in the Digital + Calculation Display screen)

Analog Channel Specifications

Number of inputs:	10
Input terminal type:	M3 screw type terminal
Input method:	Photo MOS relay scanning system; all channels isolated, balanced input
Scan speed	10 ms/1 ch maximum

Measurement Ranges

Voltage: 20, 50, 100, 200, 500 mV; 1, 2, 5, 10, 20, 50 V; 1-5 F.S.

Temperature: Thermocouples: K, J, E, T, R, S, B, N, W

Humidity: 0 to 100% (Voltage 0V to 1V scaling conversion)

Measurement accuracy*

Voltage: 0.1% of Full Scale

Temperature:

TC	Measurement Temperature Range (°C)	Measurement Accuracy (°C)
R/S	0 ≤ Ts ≤ 100	±5.2
	100 < Ts ≤ 300	±3.0
	R: 300 < Ts ≤ 1600 S: 300 < Ts ≤ 1760	±(0.05% of rdg +2.0) ±(0.05% of rdg +2.0)
B	400 ≤ Ts ≤ 600	±3.5
	600 ≤ Ts ≤ 1820	±(0.05% of rdg +2.0)
K	-200 ≤ Ts ≤ -100	±(0.05% of rdg +2.0)
	-100 < Ts ≤ 1370	±(0.05% of rdg +1.0)
E	-200 ≤ Ts ≤ -100	±(0.05% of rdg +2.0)
	-100 < Ts ≤ 800	±(0.05% of rdg +1.0)
T	-200 ≤ Ts ≤ -100	±(0.1% of rdg +1.5)
	-100 < Ts ≤ 400	±(0.1% of rdg +0.5)
J	-200 ≤ Ts ≤ -100	±2.7
	-100 < Ts ≤ 100	±1.7
	100 < Ts ≤ 1100	±(0.05% of rdg +1.0)
N	0 ≤ Ts ≤ 1300	±(0.1% of rdg +1.0)
W	0 ≤ Ts ≤ 2000	±(0.1% of rdg +1.5)
Reference contact compensation accuracy		±0.5

Reference contact compensation accuracy: Internal/External switching

A/D converter: Method: ΔΣ method; Resolution: 16-bit (Effective resolution: About 1/40,000 of the +/- range)

Temperature coefficient: Gain: 0.01% of F.S./°C; Zero: 0.02% of F.S./°C (Occurs when sampling speed is 10, 20, or 50 ms.)

Input resistance: 1 MΩ ±5%

Allowable signal source resistance: Within 300Ω

Maximum permissible input voltage: Between +/- input terminals: 60 Vp-p
Between input terminal/input terminal: 60 Vp-p
Between input terminal/GND: 60 Vp-p

GL220 Specifications (continued)

Withstand voltage: Between input terminal/input terminal :1 minute at 350 V_{p-p}; Between input terminal/GND :1 minute at 350 V_{p-p}

Insulation resistance: At least 50 MΩ (at 500 VDC)

Common mode rejection ratio: At least 90 dB (50/60 Hz; signal source 300 Ω or less)

Noise: At least 48 dB (with +/- terminals shorted)

Filter: Off, 2, 5, 10, 20, 40; Filter operation is on a moving average basis. The average value of the set sampling count is used. If the sample interval exceeds 5 seconds, the average value of data obtained in a sub-sample (5 seconds) is used.

* 23°C ±3°C when 30 minutes have elapsed after the power was switched on (filter On (10), 1 s sampling, GND connected).

Integral TFT LCD Display

Display: 4.3-inch TFT color LCD (WQVGA: 480 × 272 dots)

Displayed languages: English, French, Japanese, German, Chinese, Korean

Backlight life: 20000 hr (when brightness is down to 50%), depends on operation environment

Backlight: Screensaver function (10, 30 sec., 1, 2, 5, 10, 30, 60 min.)

Internal Memory Devices

Memory capacity: Internal memory: Approx. 2GB Flash Memory
USB memory: Unlimited (However, one file must be 2GB at the maximum.)

Memory contents: Setup conditions, measured data, screen copy

Trigger Function Specifications

Repeat trigger: Off, On

Trigger types: Start: Data capture starts when a trigger is generated.
Stop: Data capture stops when a trigger is generated.

Trigger conditions: Start: Off, Level, Alarm, External, Time, Date, Weekly
Stop: Off, Level, Alarm, External, Time, Date, Weekly

Level trigger judgment modes: Combination : Level OR, Level AND, Edge OR, Edge AND
Analog channel judgment mode : H (↑), L (↓), Window In, Window Out
Logic channel judgment mode : H (↑), L (↓)
Pulse channel judgment mode : H (↑), L (↓), Window In, Window Out

Alarm judgment modes: Detection method : Level, Edge
Analog channel judgment mode : H (↑), L (↓), Window In, Window Out
Logic channel judgment mode : H (↑), L (↓)
Pulse channel judgment mode : H (↑), L (↓), Window In, Window Out

Discrete I/O Specifications

Input/Output types: Trigger input (1 ch) or External sampling input (1 ch); Logic input (4 ch) or Pulse input (4 ch); Alarm output (4 ch); Switch between Logic and Pulse; Switch between Trigger and External sampling; The logic alarm cable B-513 (option) is required to use the external I/O function.

Input specifications: Input voltage range : 0 to +24V (single-ended ground input); Input signal : No-voltage contact (a-contact, b-contact, NO, NC), Open collector, Voltage input; Input threshold voltage : Approx. +2.5 V; Hysteresis : Approx. 0.5 V (+2.5 to +3 V)

Alarm output specifications: Output format: Open collector output (5 V, pull-up resistance 10 KΩ)
<Maximum ratings of output transistor>
• Collector-GND voltage : 30 V
• Collector current : 0.5 A
• Collector dissipation : 0.2 W

Pulse input

Revolutions mode (engines, etc): Function: Counts the number of pulses per second; enables them to be converted to rpms.
Spans: 50, 500, 5000, 50 k, 500 k, 5 M, 50 M, 500 M PRM/F.S.

Counts mode (electric meters, etc.): Function: Displays a count of the number of pulses for each sampling interval from the start of measurement.
Spans: 50, 500, 5000, 50 k, 500 k, 5 M, 50 M, 500 M C/F.S.

Inst. mode: Function: Counts the number of pulses for each sampling interval. Resets the count value after each sampling interval.
Spans: 50, 500, 5000, 50 k, 500 k, 5 M, 50 M, 500 M C/F.S.

Maximum number of pulse inputs: Maximum input frequency : 50kHz
Maximum number of count : 50kC/sampling (16-bit counter)

Ordering Guide

Description	Order No.	Description	Order No.
GL220 Compact, lightweight, multi-channel data logger with 10 analog measurement channels, 20mV to 50V Full Scale measurement range, and 2 GB internal flash memory.	GL220	Battery pack 7.2V/2200mAh lithium battery pack.	B-517
		DC Power Cable 2-meter DC power cable, bare tips.	B-514
		Humidity Sensor 3-meter with dedicated power connector.	B-530
		Logic/Alarm Cable 2-meter logic/alarm cable, bare tips.	B-513



DATAQ Instruments, Inc.
241 Springside Drive
Akron, Ohio 44333
Phone: 330-668-1444
Fax: 330-666-5434

Data Acquisition Product Links

(click on text to jump to page)

[Data Acquisition](#) | [Data Logger](#) | [Chart Recorder](#) | [Thermocouple](#) | [Oscilloscope](#)